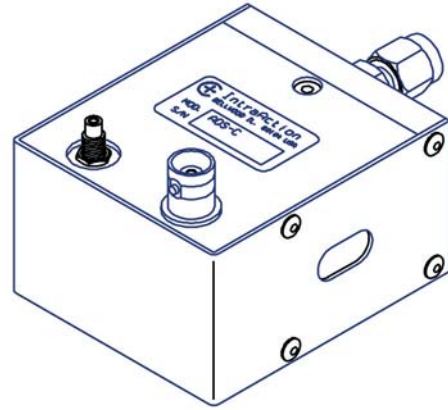


MODEL AQS-C SERIES BREWSTER WINDOW ACOUSTO-OPTIC Q-SWITCH

- CAVITY LOSS MODULATION
- BREWSTER WINDOWS
- W / LOW OH - CONTENT MATERIAL
- HIGH OPTICAL POWER CAPABILITY
- HIGH RELIABILITY
- EXCELLENT TEMP. STABILITY



SPECIFICATIONS

Optical Power Capability	500 mW/cm ²
Optical Rise Time	160 ns/mm optical beam diameter
Static Optical Insertion Loss	0.3%
Optical Polarization	Perpendicular to mounting surface
Input Impedance/VSWR	50 ohms/1.25
RF Connector	BNC
Heat Exchange	Water cooled 250 ml/min
Size (less connectors)	2.73 D x 1.50 H x 2.5 W inches
	6.94 D x 3.81 H x 6.4 W cm

MODEL	AQS-245CI	AQS-245CWI	AQS-244CWI2
	AQS-275CI	AQS-275CWI	
Optical Wavelength	0.7 - 1.1 μm	1.32 μm	2 μm
Fused Silica Material	standard 4101	low OH- content	low OH- content
Center Frequency ¹	24 MHz	24 MHz	24 MHz
	27.12 MHz	27.12 MHz	
Beam Separation	4.3 mrad(1.06 μm)	5.3 mrad	8.1 mrad
	4.8 mrad(1.06 μm)	6.0 mrad	
Active Aperture ²	3 x 12 mm	3 x 12 mm	2.5 x 12 mm
Loss Efficiency	40%	40%	40%
RF Drive Power ³	12 Watts(1.06μm) ³	20 Watts	40 Watts

¹ Other frequencies are available.

² Active aperture heights to 4 mm are available.

³ RF drive power required is proportional to optical wavelength squared.